

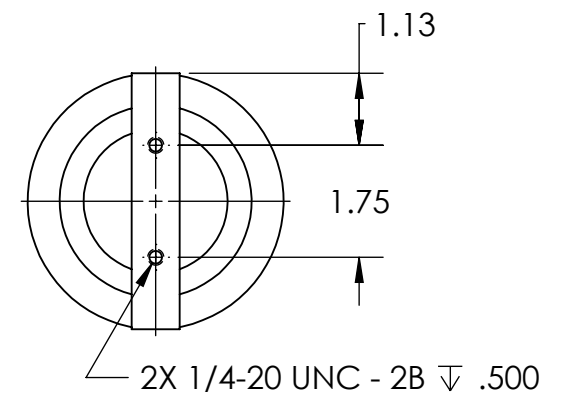
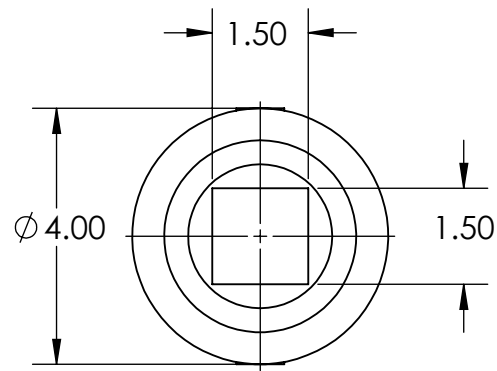
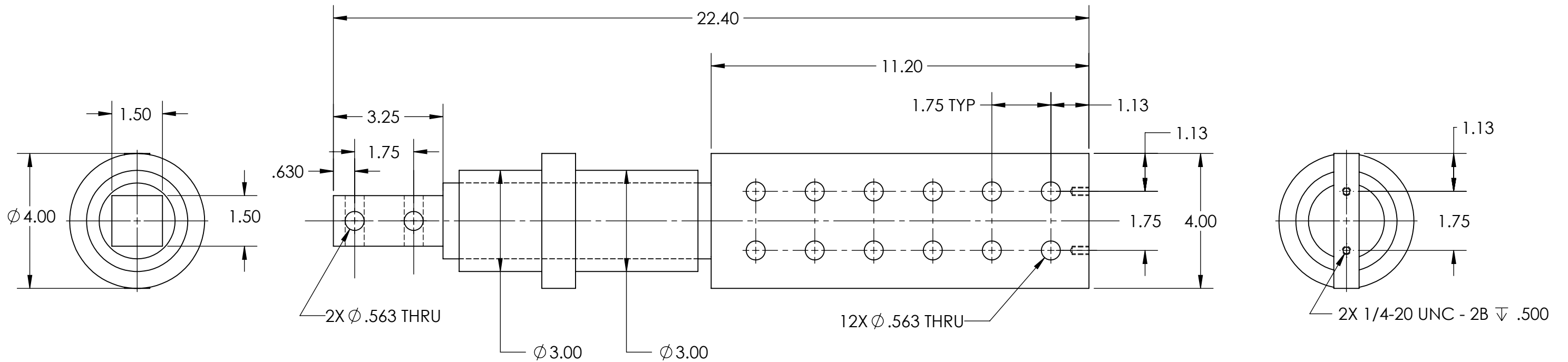
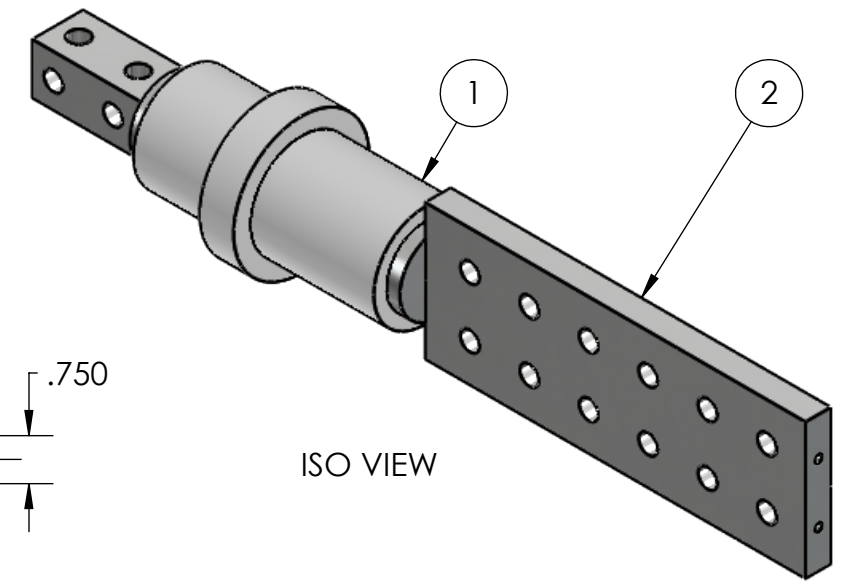
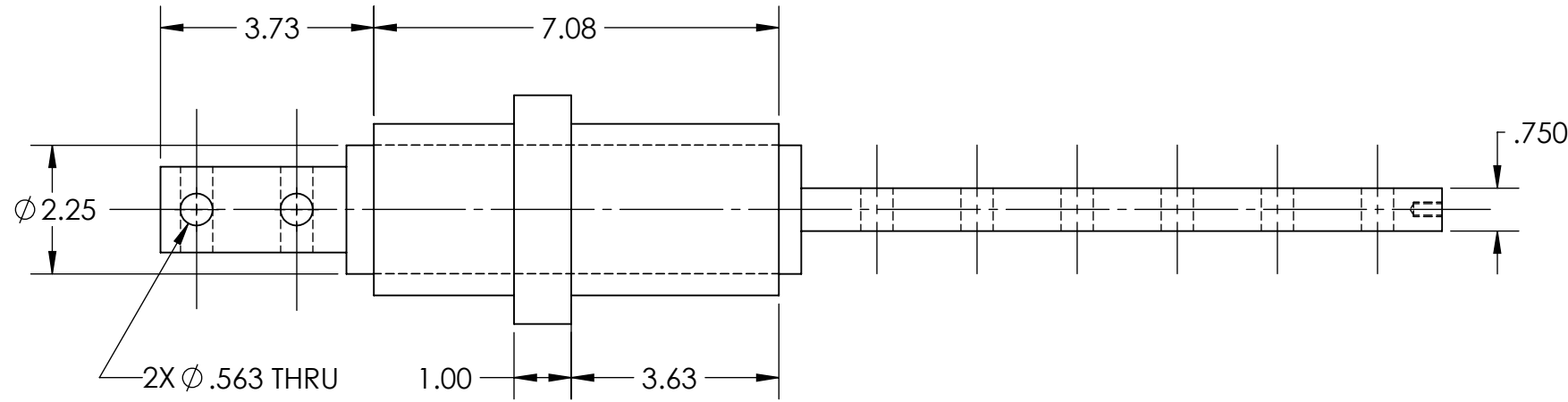
4

3

2

1

ITEM NO.	PART NUMBER	DESCRIPTION	QTY.
1	90-416	OUTDOOR EPOXY	1
2	CU-442	COPPER CONDUCTOR	1



B

B

A

A

SPECIFICATIONS	
CURRENT RATE	4000 A
VOLTAGE CLASS	1.2 kV
B.I.L.	45 kV
TANK OPENING	3.06" MIN
PLATING	TIN

UNLESS OTHERWISE SPECIFIED:
 DIMENSIONS ARE IN INCHES
 TOLERANCES:
 ANGULAR: ±0.5°
 TWO PLACE DECIMAL ±0.05
 THREE PLACE DECIMAL ±0.005
 THIRD ANGLE PROJECTION

PROPRIETARY TECHNICAL INFORMATION TO BE MAINTAINED IN CONFIDENCE AND NOT DISCLOSED TO ANY THIRD PARTY.

CROSSLINK TECHNOLOGY INC.

TITLE: **LV BUSHING**

SIZE **B** DWG. NO. **90-416** REV **2**

SCALE: 1:3 DATE: 21AUG2023 BY: R.W APPD: A.S SHEET 2 OF 2

4

3

2

1