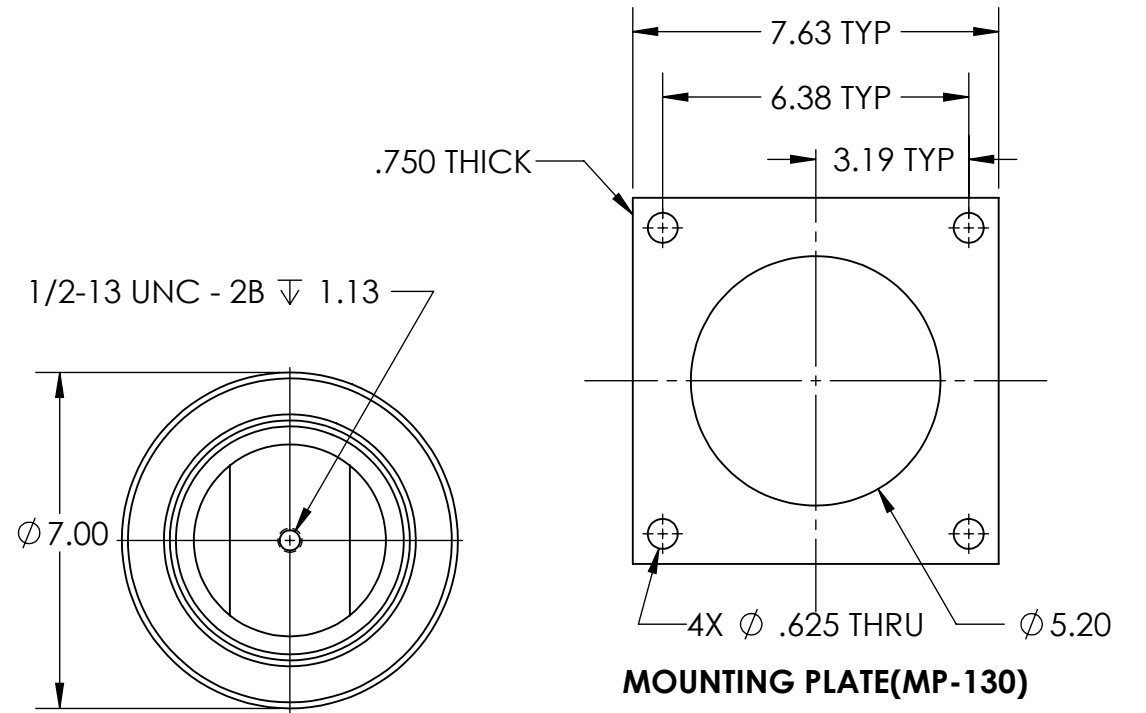
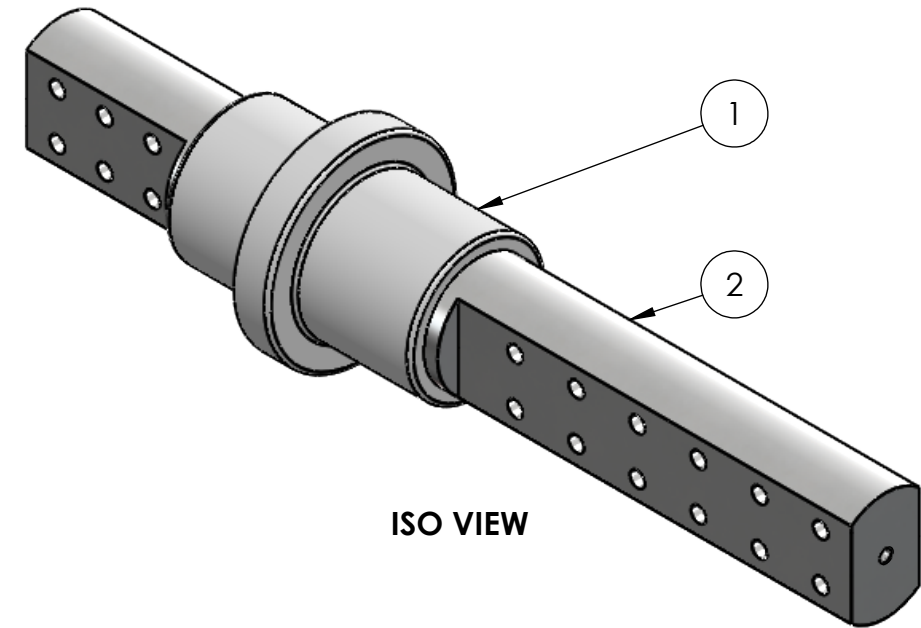
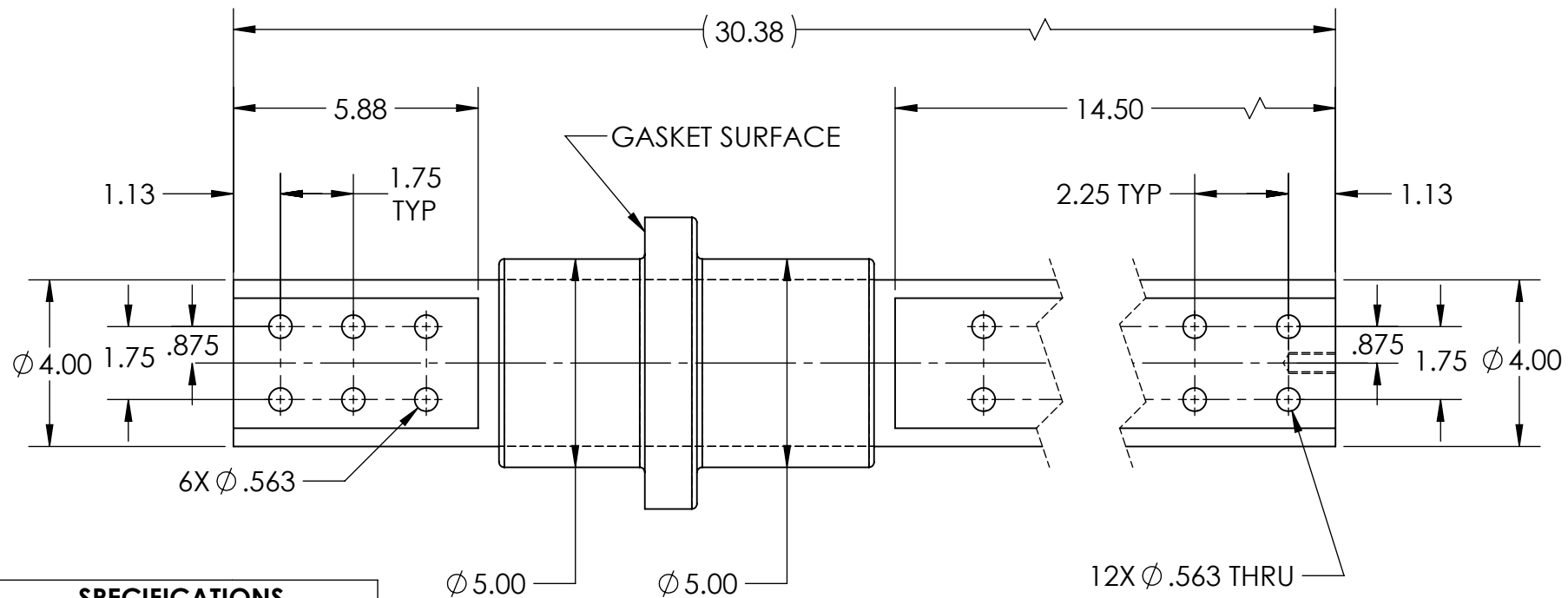
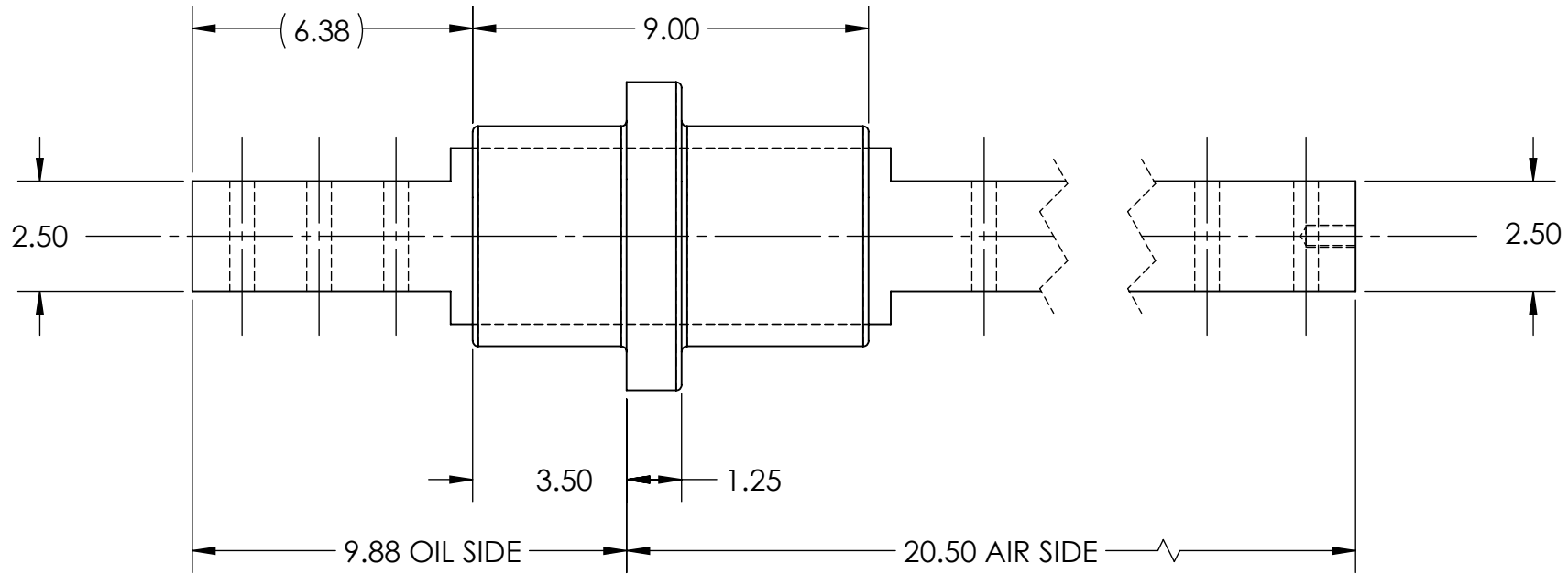


ITEM NO.	PART NUMBER	DESCRIPTION	QTY.
1	90-406	OUTDOOR EPOXY	1
2	CU-428	COPPER CONDUCTOR	1



SPECIFICATIONS

CURRENT RATE	7500 A
VOLTAGE CLASS	1.2/2.5 kV
B.I.L.	30/45 kV
TANK OPENING	5.25" MIN
PLATING	TIN
GASKET	AC86-301
MOUNTING PLATE	MP-130

UNLESS OTHERWISE SPECIFIED:
 DIMENSIONS ARE IN INCHES
 TOLERANCES:
 ANGULAR: $\pm 0.5^\circ$
 TWO PLACE DECIMAL ± 0.05
 THREE PLACE DECIMAL ± 0.005
 THIRD ANGLE PROJECTION

PROPRIETARY TECHNICAL INFORMATION TO BE MAINTAINED IN CONFIDENCE AND NOT DISCLOSED TO ANY THIRD PARTY.

CROSSLINK TECHNOLOGY INC.

TITLE: **LV BUSHING**

SIZE **B** DWG. NO. **90-406** REV **1**

DATE: 09AUG2023 BY: R.W APPD: A.S SCALE: 1:4 SHEET 2 OF 2