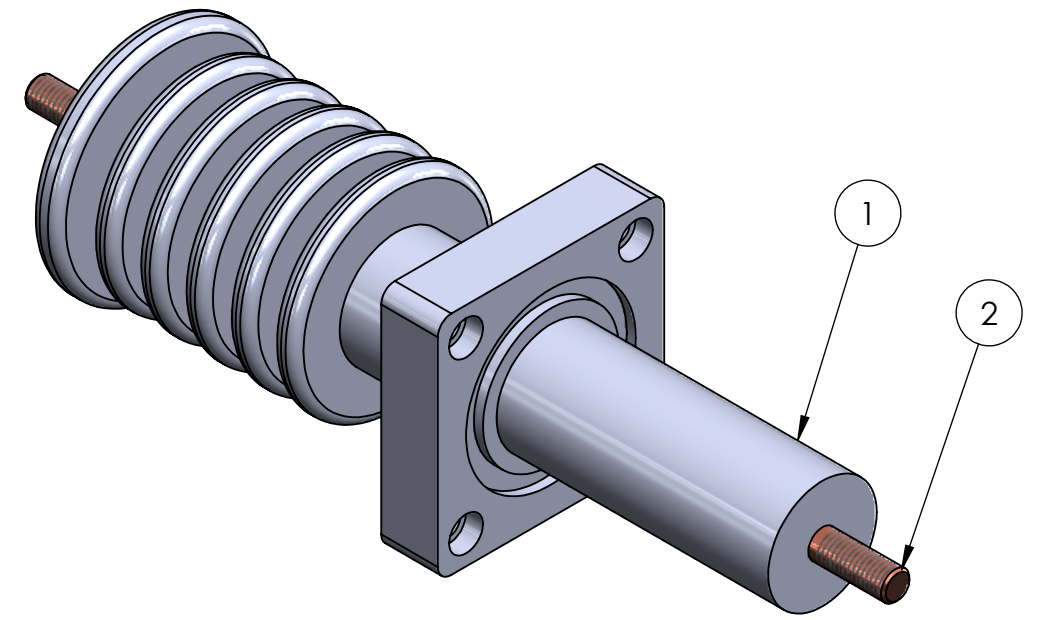
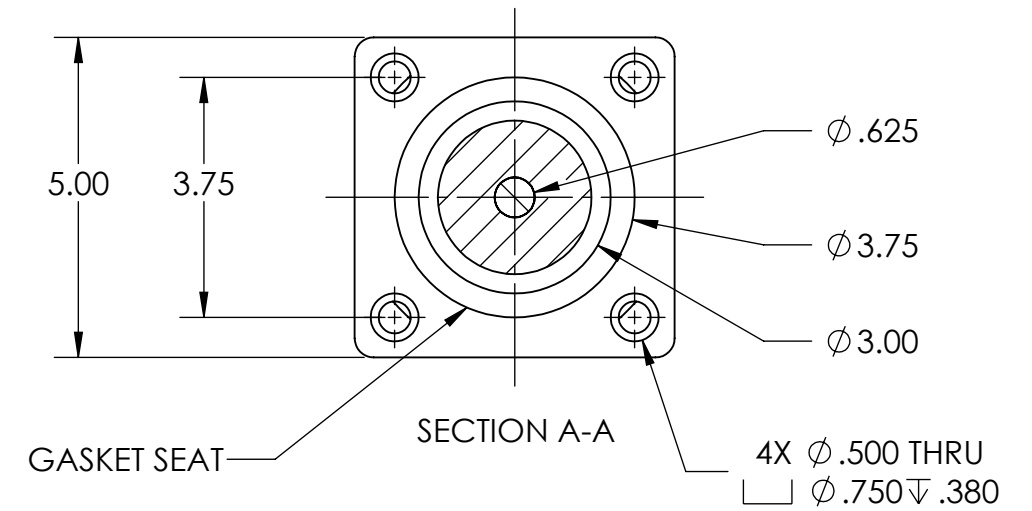
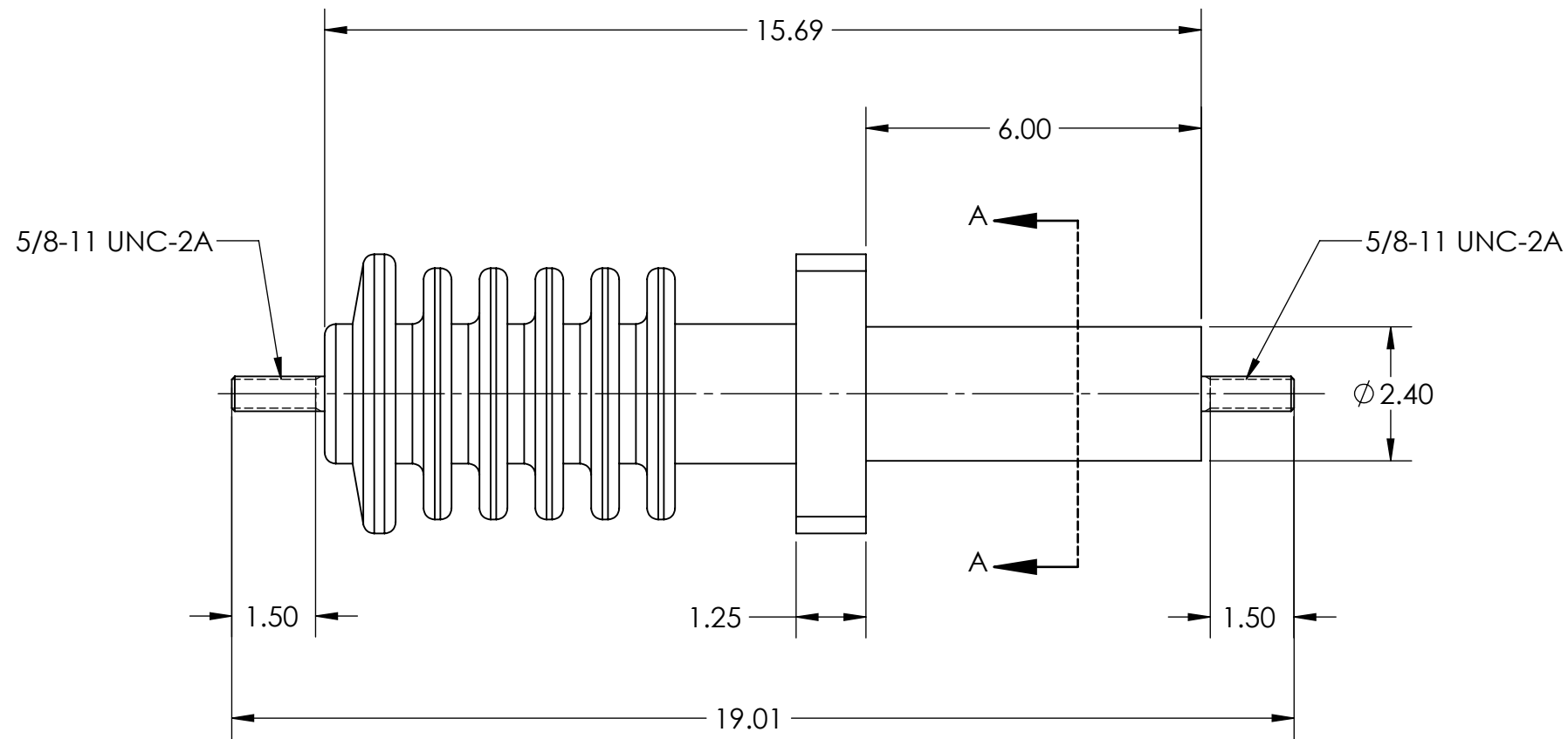


ITEM NO.	PART NUMBER	DESCRIPTION	QTY.
1	90-345	OUTDOOR EPOXY	1
2	CU-395	COPPER CONDUCTOR	1



ISO VIEW



B

B

A

A

SPECIFICATIONS	
CURRENT RATE	300 A
VOLTAGE CLASS	15 kV
B.I.L.	95 kV
TANK OPENING	2.56" MIN
GASKET	AC86-264
LEAKAGE DISTANCE	22.50"
ALTITUDE	3000 m

UNLESS OTHERWISE SPECIFIED:
 DIMENSIONS ARE IN INCHES
 TOLERANCES:
 ANGULAR: ±0.5°
 TWO PLACE DECIMAL ±0.05
 THREE PLACE DECIMAL ±0.005
 THIRD ANGLE PROJECTION

PROPRIETARY TECHNICAL INFORMATION TO BE MAINTAINED IN CONFIDENCE AND NOT DISCLOSED TO ANY THIRD PARTY.

CROSSLINK TECHNOLOGY INC.

TITLE: **MEDIUM VOLTAGE BUSHING**

SIZE B	DWG. NO. 90-345	REV 2
SCALE: 1:3		SHEET 1 OF 1

4

3

2

1