

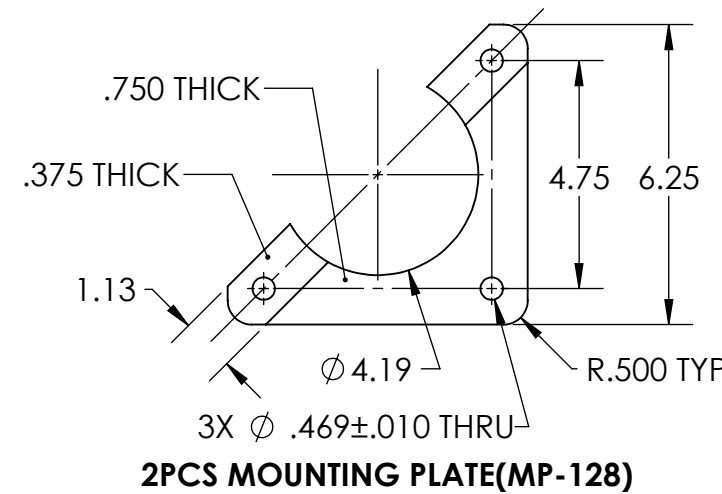
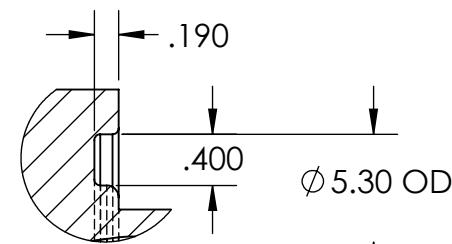
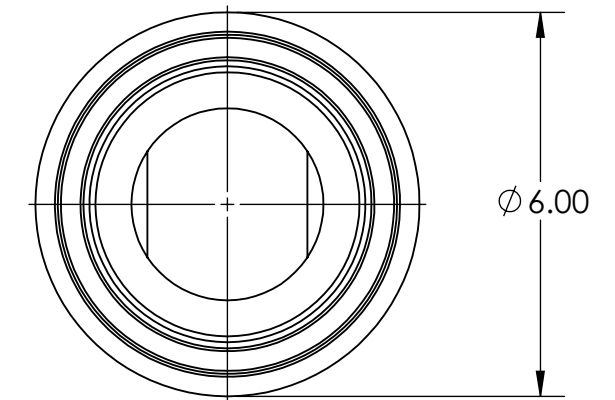
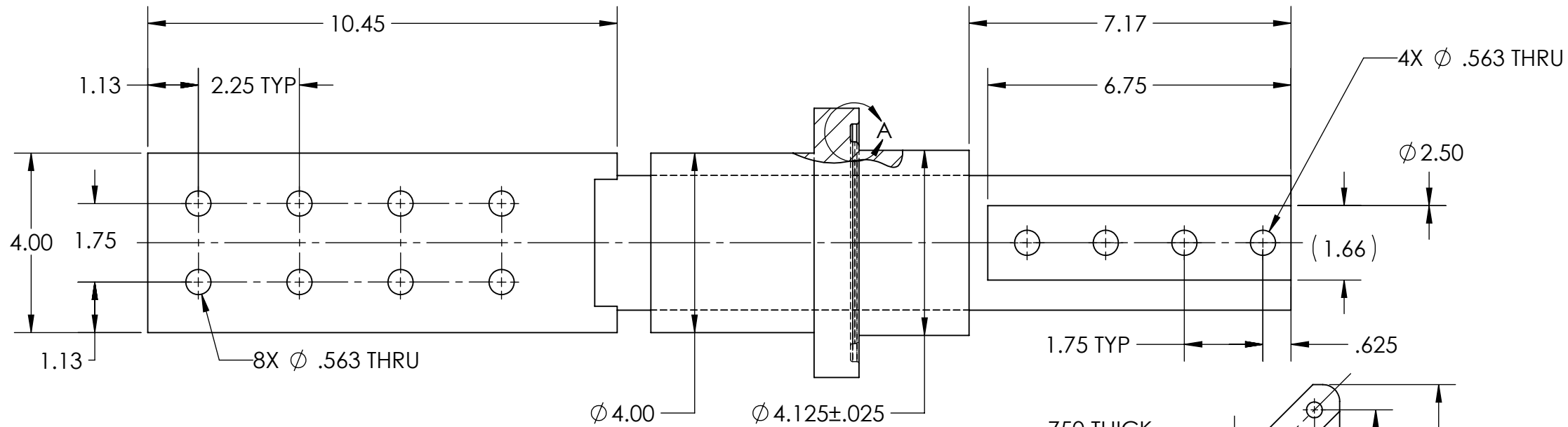
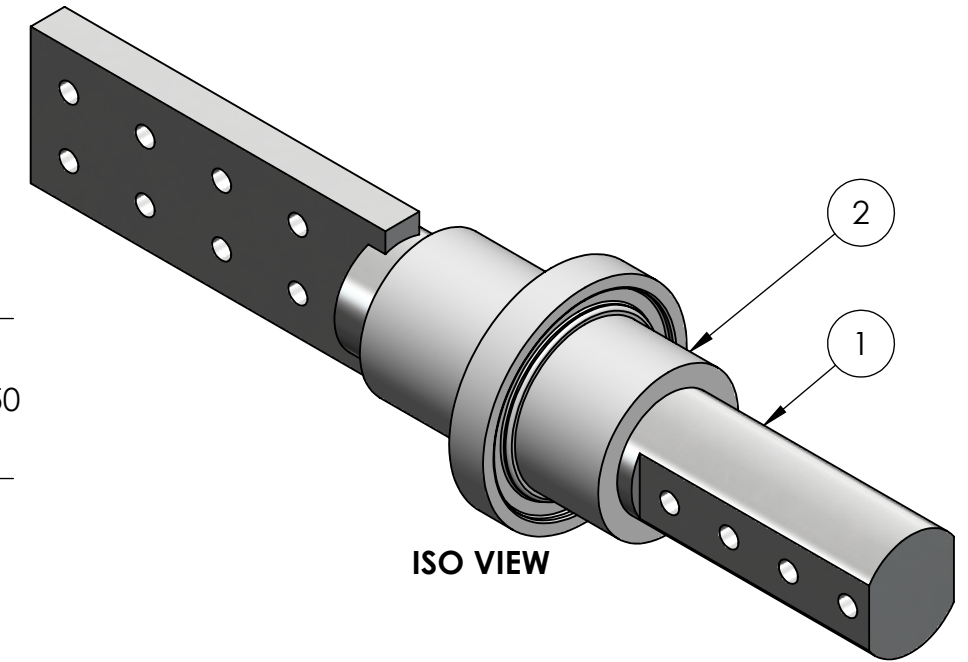
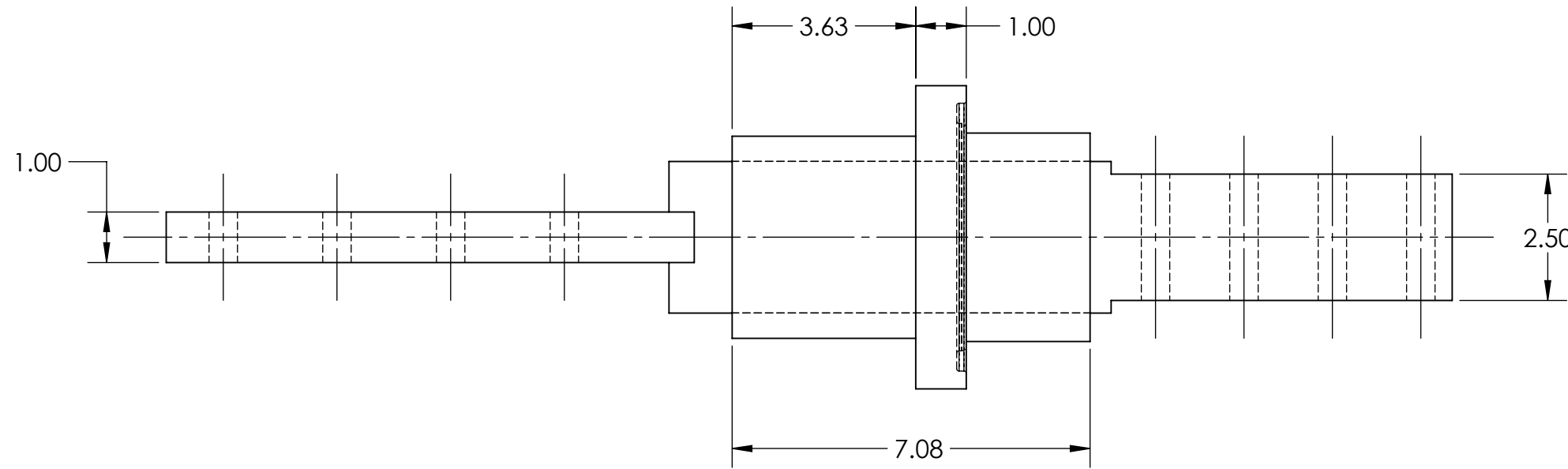
4

3

2

1

ITEM NO.	PART NUMBER	DESCRIPTION	QTY.
1	CU-377	COPPER CONDUCTOR	1
2	90-320	OUTDOOR EPOXY	1



2PCS MOUNTING PLATE(MP-128)

UNLESS OTHERWISE SPECIFIED:
 DIMENSIONS ARE IN INCHES
 TOLERANCES:
 ANGULAR: \pm 0.5°
 TWO PLACE DECIMAL \pm 0.05
 THREE PLACE DECIMAL \pm 0.005
 THIRD ANGLE PROJECTION

CROSSLINK TECHNOLOGY INC.			
TITLE: LV BUSHING			
SIZE B	DWG. NO. 90-320	REV 2	
DATE: 30AUG2023	BY: R.W	APPD: A.S	SCALE: 1:3 SHEET 2 OF 2

SPECIFICATIONS	
CURRENT RATE	7500 A
VOLTAGE CLASS	2.5 kV
B.I.L.	45 kV
TANK OPENING	4.18" MIN
PLATING	TIN
GASKET	AC86-265
MOUNTING PLATE	MP-128

4

3

2

1

B

A